

Intelligent, versatile Colour A4 multifunctional with flexible connectivity

The imageRUNNER ADVANCE C356i offers much of the functionality of an A3 device, making them a great addition to any busy working groups who require a compact solution.

Workflow Efficiency

- Intuitive user interface with a large, colour touchscreen provides users with smartphone-like usability, making navigation a breeze.
- Intelligent feeder allows effortless, rapid scanning with features like multi-sheet feed detection and skip blank originals.
- My ADVANCE enables a unique, personal experience tailored to meet each user's workflow needs. Settings, such as display language, initial log-in screen, and accessibility options, can be synchronised across multiple devices for consistency.
- Canon's MEAP platform provides process optimisation, by integrating with a range of powerful document, capture and output management solutions.
- Scalable support for mobile where users can connect directly to the device with Direct Access Point. Capture, scan or print documents easily with the Canon Print Business app.
- Scan and convert documents through a single-pass duplexing document feeder that holds up to 100 originals.
- Intelligent Recovery wakes device from sleep mode when user is approaching device via motion sensor technology.

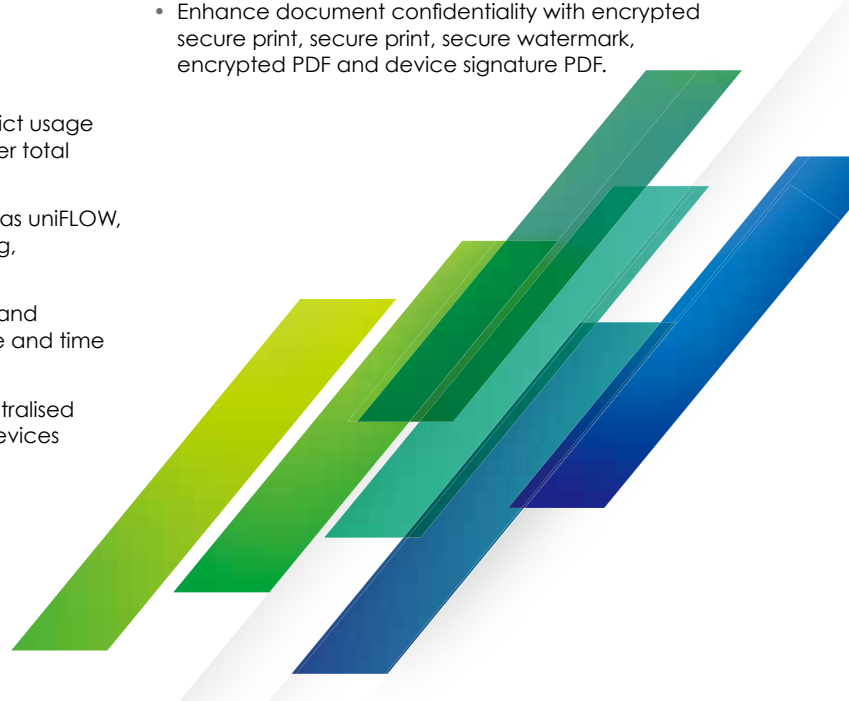
Cost Management

- The ability to apply print policies, monitor output, and restrict usage by user helps reduce unnecessary printing, resulting in lower total document cost.
- Tight integration with output management solutions, such as uniFLOW, provides the ability to carry out detailed tracking, reporting, and cost analysis.
- Quality and reliability, combined with remote diagnostics and assistance, can help reduce costs by minimising downtime and time spent by IT resolving issues.
- Consistent user operation combined with remote and centralised fleet management can help simplify IT management of devices and entire fleets.



Security

- Control who has access to the device with Picture Login authentication.
- Prevent unauthorised distribution of sensitive information with an array of standard and optional document security features.
- Ensure information privacy and security across your network with IPsec, port filtering capabilities, and SSL technology.
- Enhance document confidentiality with encrypted secure print, secure print, secure watermark, encrypted PDF and device signature PDF.



Device and Fleet Management Efficiency

- Synchronise personalised user settings across multiple devices through My ADVANCE Sync.
- Canon's device management tools give you a centralised point of control across your entire fleet, upgrade devices remotely, check device and consumables status and capture meter readings.
- Standard PCL and Adobe PostScript print driver allows seamless integration with enterprise applications.
- Remote diagnostics allow timely, accurate and effective resolution.
- Intuitive user maintenance videos and status notifications available to help achieve maximum uptime and keep supplies replenished.

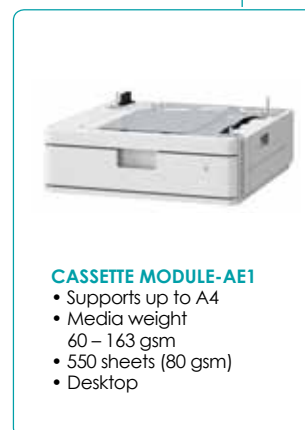
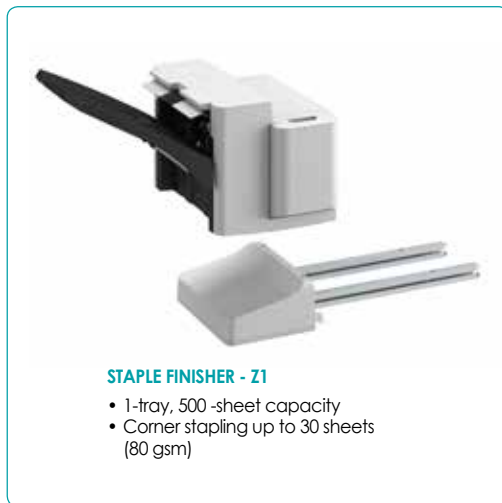
Reliability

- V² (Vivid & Vibrant) imaging technology ensures high quality printouts that impress time after time.
- Supreme transferability of toner and stable reproduction of colours onto a wide range of media, even at large volumes.
- State-of-the-art imaging technologies and toner allow for consistently striking images with real 1,200 dpi. print resolution.
- Robust design and engine, with up to 2,300 sheet paper capacity, perfect for handling workloads of busy workgroups.

Sustainability

- New CS Toner (consistently stable) provides print quality even for high volume print jobs.
- Minimise paper waste by holding jobs at the device with Force Hold Print. Choose to preview your print jobs or even change print settings at the device to achieve the desired results at the first time of printing.
- Incorporates sustainable design, with the use of recycled materials and bio-based plastic, and a focus on minimising environmental impact.
- Consumes as little as 0.8W in sleep mode.

Main Configuration Options



MAIN UNIT

Type

Colour Laser Multifunctional

Core Function

Print, Copy, Scan, Send, Store and Optional Fax

Processor

Canon Dual Custom Processor (Shared)

Control Panel

Standard : 10.1 inch TFT LCD WSVGA Colour Touch Panel

Memory

Standard : 3.0GB RAM

Hard Disk Drive

Standard : 250GB

Interface Connection

Network Standard: 1000Base-T/100Base-TX/10Base-T,
Wireless LAN (IEEE 802.11 b/g/n)
Optional : NFC, Bluetooth

Others

Standard: USB 2.0 x1 (Host), USB 3.0 x1 (Host),
USB 2.0 x1 (Device)
Optional : Serial Interface, Copy Control
Interface

Paper Capacity (A4, 80gsm)

Standard : 650 Sheets
Maximum : 2,300 Sheets

Paper Sources (A4, 80gsm)

Standard : 550-sheet Paper Cassettes
100-sheet Multi-purpose tray

Optional :

CASSETTE MODULE-AE1:
550-sheet Paper Cassette
CASSETTE FEEDING UNIT-AJ1:
550-sheet Paper Cassette
CASSETTE FEEDING UNIT-AK1:
550-sheet x 3 Paper Cassettes

Maximum : 2,300 Sheets

Paper Output Capacity (A4, 80gsm)

Standard : 250 Sheets
Maximum : 500 Sheets (with STAPLE FINISHER-Z1)

Finishing Capabilities

Standard : Collate, Group
With STAPLE FINISHER-Z1: Collate, Group, Offset, Staple

Supported Media Types

Cassette 1:

Thin paper, Plain paper, Thick paper, Colour paper,
Recycled paper, Pre-punched paper, Bond Paper,
Envelope

Multi-Purpose Tray:

Thin paper, Plain paper, Thick paper, Colour paper,
Recycled paper, Pre-punched paper, Transparency*,
Label, Bond paper, Envelope

CASSETTE MODULE-AE1/ FEEDING UNIT-AJ1(2):

Thin paper, Plain paper, Thick paper, Colour paper,
Recycled paper, Pre-punched paper, Bond Paper

CASSETTE FEEDING UNIT- AK1 (3/4) Standard size:

Thin paper, Plain paper, Thick paper, Colour paper,
Recycled paper, Pre-punched paper, Bond Paper

*Use only A4 transparencies made especially for multi-functional device

Supported Media Sizes

Cassette 1:

Standard size : A4, B5, A5, Foolscap, India Legal, F4A
Envelopes (No. 10(COM 10), Monarch, ISO-C5, DL)
Custom Size: 98 x 190.5 mm to 216 x 355.6 mm

CASSETTE MODULE-AE1/ FEEDING UNIT-AJ1(2):

Standard size: A4, B5, A5, Foolscap, India Legal, F4A,
Custom size: 98 x 190.5 mm up to 216 x 355.6 m

CASSETTE FEEDING UNIT- AK1 (3/4)

Standard size: A4, B5, A5, Foolscap, India Legal, F4A
Custom size: 98 x 190.5 mm up to 216 x 355.6 mm

Multi-Purpose Tray:

Standard size: A4, B5, A5, Foolscap, India Legal, F4A,
Custom Size: Min. 98 x 148 mm to 216 x 355.6 mm
Envelopes: No.10 (COM10), Monarch, ISO-C5, DL
Envelope custom size: 98 x 148 mm to 216 x 355.6 mm

Supported Media Weights

Cassettes : 60 to 163 gsm
Multi-purpose tray : 60 to 220 gsm
Duplex : 60 to 163 gsm

Warm-up Time

From Power On* : 30 Seconds or Less

*Time between device power-on and when the start key is enabled
Quick startup Mode OFF.

From Deep Sleep Mode : 10 Seconds or Less

Quick Startup Mode : 4 seconds or less**

** If <Quick Startup Settings for Main Power> is set to "On", it takes 4 seconds until the key operation on the touch panel display is available after turning on the main power of the machine. Depending on the situations, the machine does not startup quickly.

Dimensions (W x D x H)

511 x 651 x 639mm
With Cassette Feeding Unit-AJ1 or AK1:
511 mm x 651 mm x 1,064 mm

Installation Space (W x D)

Basic : 852 mm x 908 mm
(Multi-purpose tray open + Cassette
Drawers open)
Fully : 1,407 mm x 908 mm (When attach with
Configured STAPLE FINISHER-Z1 + Multi-purpose tray
open + Cassette Drawers open)

Weight including the toner bottle

Approx. 50kg
With Cassette Feeding Unit-AJ1 : Approx. 66 kg
With Cassette Module-AE1 : Approx. 60 kg
With Cassette Feeding Unit-AK1 : Approx. 69 kg

Print Specifications

Printing Method

Colour laser beam printing

Print Speed

35 ppm (A4)

Print Resolution

9,600 dpi equivalent x 600 dpi (600 dpi mode)
1200 dpi x 1200 dpi equivalent (1200dpi mode)

Page Description Languages

Standard: UFR II, PCL6, Adobe PS 3

Double Sided Printing

Automatic (Standard)

Direct Print

Direct printing available from USB memory key,
Advanced box, Remote UI and Web Access*
Supported File Types: PDF, TIFF, JPEG, XPS

*Only PDF print from websites is supported.

Fonts

PCL fonts: 93 Roman, 10 Bitmap fonts, 2 OCR fonts,
Andalé Mono WT J/K/S/T* (Japanese, Korean,
Simplified and Traditional Chinese),
Barcode fonts**

*Requires optional PCL INTERNATIONAL FONT SET-A1

**Require optional BARCODE PRINTING KIT-D1

PS fonts: 136 Roman

Operating System

UFR II: Windows Vista/Server 2008/Windows 7/Server 2008
R2/Server 2012/Windows 8.1/Server 2012 R2/
Windows 10/Server 2016, MAC OS X (10.7 or later)

PCL: Windows Vista/Server 2008/Windows 7/Server 2008 R2/
Server 2012/Windows 8.1/Server 2012 R2/Windows 10/
Server 2016

PS: Windows Vista/Server 2008/Windows 7/Server 2008 R2/
Server 2012/Windows 8.1/Server 2012 R2/Windows 10/
Server 2016, MAC OS X (10.7 or later)

PPD: MAC OS X (10.3.9 or later), Windows Vista/Windows 7/
Windows 8.1/Windows 10

Copy Specifications

Copy Speed (BW/Colour)

35 ppm (A4)

First-Copy-Out Time (A4)*

20 °C to 30 °C Environment*
Approx. 5.1/6.9 seconds or less

Copy Resolution

Reading : 600 dpi x 600 dpi
Printing : Up to 2400dpi equivalent x 600dpi

Multiple Copies

Up to 999 copies

Copy Exposure

Automatic or Manual (9 Levels)

Magnification

25% - 400% (1% Increments)

Preset Reductions

25%, 50%, 70%, 81%, 86%

Preset Enlargements

115%, 122%, 141%, 200%, 400%

Scan Specifications

Type

Single-pass Duplexing Automatic Document Feeder

Document Feeder Paper Capacity

100 Sheets (80 gsm)

Document Feeder Supported Media Sizes

A4, A5, A6, B5

Document Feeder Supported Media Weights

Single-sided scanning: 50 to 128 gsm (BW)
64 to 128 gsm (CL)

Double-sided scanning: 50 to 128 gsm (BW)
64 to 128 gsm (CL)

Pull Scan Spec

Color Network ScanGear2. For both Twain and WIA
Supported OS: Windows Vista/7/8.1/10 Windows Server
2008/Server 2008 R2/Server 2012/
Server 2012 R2/ Server 2016

Scan Resolution

100 x 100 dpi, 150 x 150 dpi, 200 x 100 dpi, 200 x 200 dpi,
200 x 400 dpi, 300 x 300 dpi, 400 x 400 dpi, 600 x 600 dpi

Platen Acceptable Originals

Platen: Sheet, Book, 3-Dimensional Objects [Up to 2kg]
Paper size: A4, A5, A6, B5

Scan Speed (A4)

SP DADF:

1-sided Scanning (BW/CL): 50 ipm (300dpi)/50 ipm (600 dpi)
2-sided Scanning (BW/CL): 100 ipm (300dpi)/100 ipm (600 dpi)

Double sided scanning

2-sided to 2-sided (Automatic)

Send Specifications

Optional/ standard

Standard on all models

Destination

E-mail/Internet FAX (SMTP), SMB, FTP, WebDAV, Mail Box,
Super G3 FAX(Optional), IP Fax(Optional)

Colour Mode

Automatic-Colour Select (Full Colour/Grayscale),
Automatic-Colour Select(Full Colour/Black-and-White),
Full colour, Grayscale, and Black-and-White

Address Book

LDAP (2,000)/Local (1,600)/One-touch (200)

Send Resolution

100 x 100 dpi, 150 x 150 dpi, 200 x 100 dpi, 200 x 200 dpi,
200 x 400 dpi, 300 x 300 dpi, 400 x 400 dpi, 600 x 600 dpi

Communication Protocol

File : FTP, SMB 3.0, WebDAV
E-mail/I-Fax : SMTP, POP3, I-Fax (Simple, Full)

File Format

Standard : JPEG, TIFF, PDF/XPS (Compact),
PDF (Encrypted, PDF/A-1b, Optimize for Web,
Apply Policy)
PDF/XPS (Digital Signature, Searchable)

Optional :

PDF (Trace&Smooth)
Office Open XML (Powerpoint, Word)

Fax Specifications

Optional/ Standard : Optional on all models

Maximum Number of Connection Lines : 2

Modem Speed : Super G3: 33.6 kbps
G3 : 14.4 kbps

Compression Method : MH, MR, MMR, JBIG

Resolution : 400 x 400 dpi, 200 x 400 dpi,
200 x 200 dpi, 200 x 100 dpi

Sending/Recording Size : A4, B5*, A5* and A6*
* Sent as A4

FAX Memory : Up to 30,000 pages

Speed Dials : Max. 200

Group Dials/Destinations : Max. 199 dials

Sequential Broadcast : Max. 256 addresses

Memory Backup : Yes

Store Specifications

Mail Box (Number supported)

100 User Inboxes, 1 Memory RX Inbox,
50 Confidential Fax Inboxes
30,000 Maximum Pages Stored

Advanced Box

Communication Protocol: SMB or WebDAV
Supported Client PC: Windows (Windows Vista/7/8/8.1/10)
Concurrent Connections (Max.): SMB: 64, WebDAV: 3
(Active Sessions)

Advanced Box Available Disc Space

Approx. 16GB (Standard HDD)

Memory Media

Standard: USB Memory

Security Specifications

Authentication

Standard : Picture Login Authentication, User Authentication, Department ID Authentication, (Device and Function Level Login), Access Management System

Optional: uniFLOW

Data

Standard: Trusted Platform Module (TPM), Hard Disk Password Lock, Hard Disk Drive Erase, Hard Disk Drive Encryption (FIPS140-2 Validated), Mail Box Password Protection

Optional : Hard Disk Drive Mirroring, Hard Disk Drive removal, , IEEE 2600.2 Common Criteria Certification.

Network

Standard : IP/Mac Address Filtering, IPSEC, TLS Encrypted Communication, SNMP V3.0, IEEE 802.1X, IPv6, SMTP Authentication, POP Authentication before SMTP

Document

Standard : Secure Print, Encrypted PDF, Encrypted Secure Print, Digital signature, Secure Watermarks

Optional : User signature, Document Scan locking

Environmental Specifications

Operating Environment

Temperature: 10 to 30 °C
Humidity: 20 to 80 % RH (no condensation)

Power Requirements

220-240V (±10 %), 50/60Hz (±2 Hz), 3.9A

Power Consumption

Maximum: 1.5 kW
Standby: Approx. 40.3 W*
Sleep mode: Approx. 0.8 W**
*Reference Value
**0.9W sleep mode is not available in all circumstances due to certain settings.

Consumables

Toner Yield (Estimated Yield @5% Coverage)

NPG-76 Toner BK : 23,000 pages
NPG-76 Toner C/M/Y : 18,000 pages

Drum Yield

NPG-76 Drum Unit BK : 43,000 pages
NPG-76 Drum Unit C/M/Y : 45,600 pages

Paper Supply Options

PAPER SUPPLYING UNIT

Cassette Module-AE1

Paper Size : A4, B5, A5
Custom size : 98 x 190.5 mm to 216 x 355.6 mm
Paper Weight : 60 to 163 gsm
Paper Capacity : 550 sheets (80 gsm)

Power Source : From the Main Unit
Dimensions (WxDxH) : 511 x 508 x 159 mm**
Weight : Approx. 10 kg

**When attached with the Main Unit

Cassette Feeding Unit-AJ1

Paper Size : A4, B5, A5
Custom size : 98 x 190.5 mm to 216 x 355.6 mm
Paper Weight : 60 to 163 gsm
Paper Capacity : 550 sheets (80 gsm)
Power Source : From the Main Unit
Dimensions (WxDxH) : 511 x 508 x 425 mm**
Weight : Approx. 16 kg

**When attached with the Main Unit

Cassette Feeding Unit-AK1

Paper Size : A4, B5, A5
Custom size : 98 x 190.5 mm to 216 x 355.6 mm
Paper Weight : 60 to 163 gsm
Paper Capacity : 3 X 550 sheets (80 gsm)
Power Source : From the Main Unit
Dimensions (WxDxH) : 511 x 508 x 425 mm**
Weight : Approx. 19 kg

**When attached with the Main Unit

Output Options

STAPLE FINISHER

STAPLE FINISHER-Z1 (External)

Number of Trays : 1
Tray Capacity : 500 sheets
Paper Weight : 60 to 220 g/m²
Staple Position : Corner
Staple Capacity : 30 sheets* (up to 105 gsm)
Dimensions (WxDxH) : 555 x 459 x 301 mm**
Weight : Approx. 14 kg

*Includes 2 cover page (220gsm)

** When attached with Main Unit

Software and Printer Management

Remote management tools

eMaintenance: Compatible with eMaintenance services via embedded RDS (Enables meter capture, automatic consumables management, remote diagnostics and reporting for service providers to offer efficient, fast and proactive maintenance)

Content Delivery System: Allows the Remote distribution of firmware, iR options and MEAP applications; Remote User Interface (RUI) Web-based interface to each device that helps to provide remote device management and control.

iW Management Console: Server-based software for centralised management of a fleet of devices (includes monitoring or consumables, status monitoring and alerts, distribution of address books, configuration settings, firmware and MEAP applications, meter capture and reporting, driver and resource management)

Scanning software

Network ScanGear: TWAIN-compliant scanner driver that enables computers on a network to use the pull scan functionality of the device.

Platform

MEAP (Multifunctional Embedded Application Platform): A powerful JAVA Embedded Platform for Canon devices which provides tight coupling between a range of software solutions and the device.

Document Publishing

iW DESKTOP: Powerful print publishing software which easily combines documents from different sources and file formats, applies finishing with preview and templates to create professional looking documents. Includes PDF creation, annotation and compression capabilities for simple digital workflows such as proofing and authorization.

Hardware Accessories

Card Readers
MICARD PLUS PROXIMITY CARD READER
COPY CARD READER-F1
COPY CARD READER ATTACHMENT-B5
IC CARD READER ATTACHMENT-A1
IC CARD READER BOX-D1

System and Controller Options

Print Accessories
PCL INTERNATIONAL FONT SET-A1
PCL ASIAN FONT SET-A1

Fax Accessories

SUPER G3 FAX BOARD-A1
SUPER G3 2ND LINE FAX BOARD-A1
REMOTE FAX-A1
IP FAX EXPANSION KIT-B1

Security Options

Document Security
DOCUMENT SCAN LOCK KIT-B1
UNIVERSAL SEND DIGITAL USER SIGNATURE KIT-C1

Other Options

Accessibility Accessories
ADF ACCESS HANDLE-A1
VOICE GUIDANCE KIT-G1
VOICE OPERATION KIT-D1

Consumables
STAMP INK CARTRIDGE-C1
STAPLE-P1
STAPLE CARTRIDGE-Y1

To arrange for a demonstration, simply contact any of our offices below.

SOUTH & SOUTHEAST ASIA REGIONAL HEADQUARTERS

Canon Singapore Pte. Ltd. | 1 Fusionopolis Place #15-01 Galaxis Singapore 138522
Tel: 65-6799 8888 | Fax: 65-799-8882 | www.canon-asia.com | www.canon.com.sg



Partner / Dealer Stamp

This document is for information purpose only and the contents are subject to change without notice. Product options, name and availability may vary by regions. Nothing in this document should be construed as a warranty. We expressly disclaim any liability or contractual obligations with respect to this document.

Canon, imageRUNNER, imageRUNNER ADVANCE, imageCHIP, RAPID Fusing System, MEAP, eMaintenance, iW, Business can be simple and get Smart get genuine are trademarks of Canon Inc. and/or its affiliates. "MEAP" is a trademark of CANON Inc., referring to an "application platform" for Canon multifunction and single function printers. Other names may be the trademarks of their respective owners. uniFLOW, eCopy and Therefore are independent party software distributed by Canon Singapore Pte Ltd.

Adobe, PostScript, PostScript 3 and the PostScript logo are trademarks of Adobe Systems Incorporated

0210W/837 © 2018 Canon Singapore Pte. Ltd.
All rights reserved. Printed in Singapore.